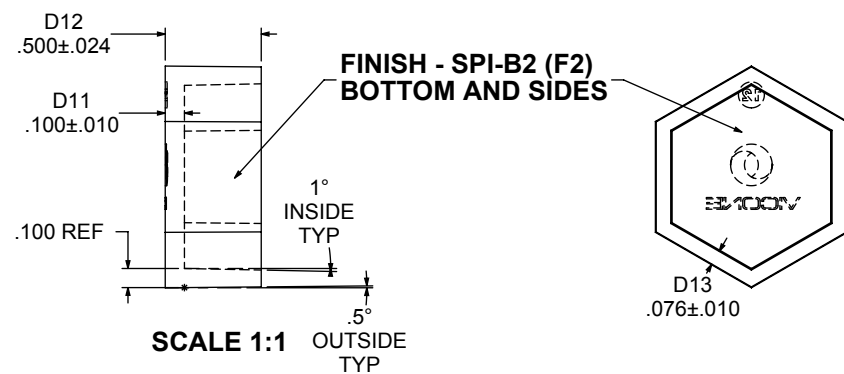
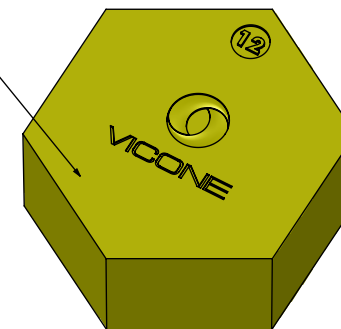


TOP FINISH - SPI-B2
NO TOOL OR SCUFF MARKS



Tensile Strength	ASTMD638	Mpa	85
Elongation at break	ASTMD638	%	70
Hardness	ASTMD785		R118
Flame retardancy	UL 94	Class/mm	V2/1.5mm
Density	ASTMD792	g/cm3	1.14
Surface resistivity	ASTMD257	Ω	10 ¹⁰
Volume resistivity	ASTMD149	Ω.cm	10 ¹⁵
Distortion temperature	ASTMD785	°C	>220

NOTES:

FLAME RETARDANT UL 94 V2/1.5mm

This drawing, design, and/or concept, along with all of the contents herein are the exclusive ownership of Vicone High Performance Rubber Inc. Its reproduction and/or distribution are strictly prohibited. Copyright Vicone High Performance Rubber Inc.

TOLERANCES - IMPERIAL
(unless specified otherwise)

MT3-T0.016"



Drawn John Fisher	Date 05/10/11
Checked Eric Leclair	Date 07/07/11
Approved Eric Leclair	Date 03/09/12
Material R118 DURO VicoPoly™54A/PA66	
Colour YELLOW 396C	
Finish SEE NOTES	



VICONE High Performance Rubber Inc.
12-216 Poirier Street
St. Eustache, Quebec, J7R 6B1
www.viconerubber.com
877-VICONE2 (842-6632)

Title -
HEX SAMPLE #12

Scale:2:1

Sheet 1 of 1

DWG #
MD00423

Rev #
00